



PREMIUM AFTERMARKET WIND DEFLECTORS

INSTALLATION INSTRUCTIONS

SAAB 900 NG & 9-3 YS3D Wind Deflector 1994-2003

Product No.: 32.02.01.01 (BLACK)

Product No.: 32.02.01.03 (TAN)

What's in the box

1 x wind deflector

1 x installation manual

2 x wind deflector plugs (left & right). You may only need these if you have a car without the factory fitted bungs.

2 x wind deflector pins. You only need these if your car does not have the factory fitted bungs.

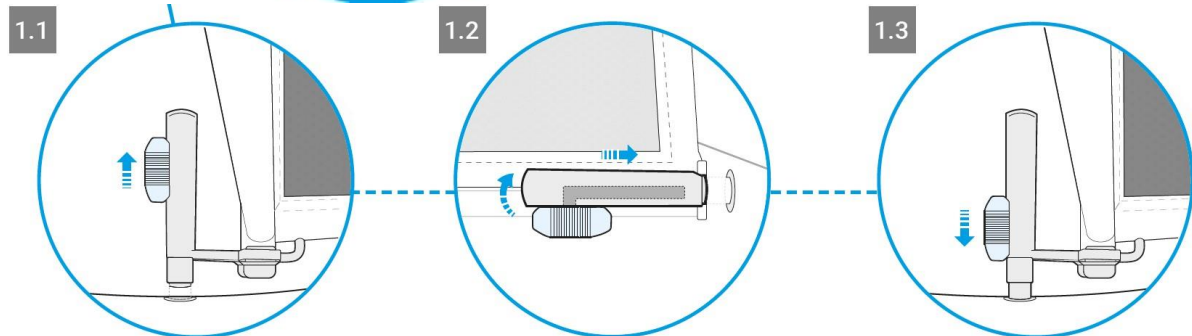
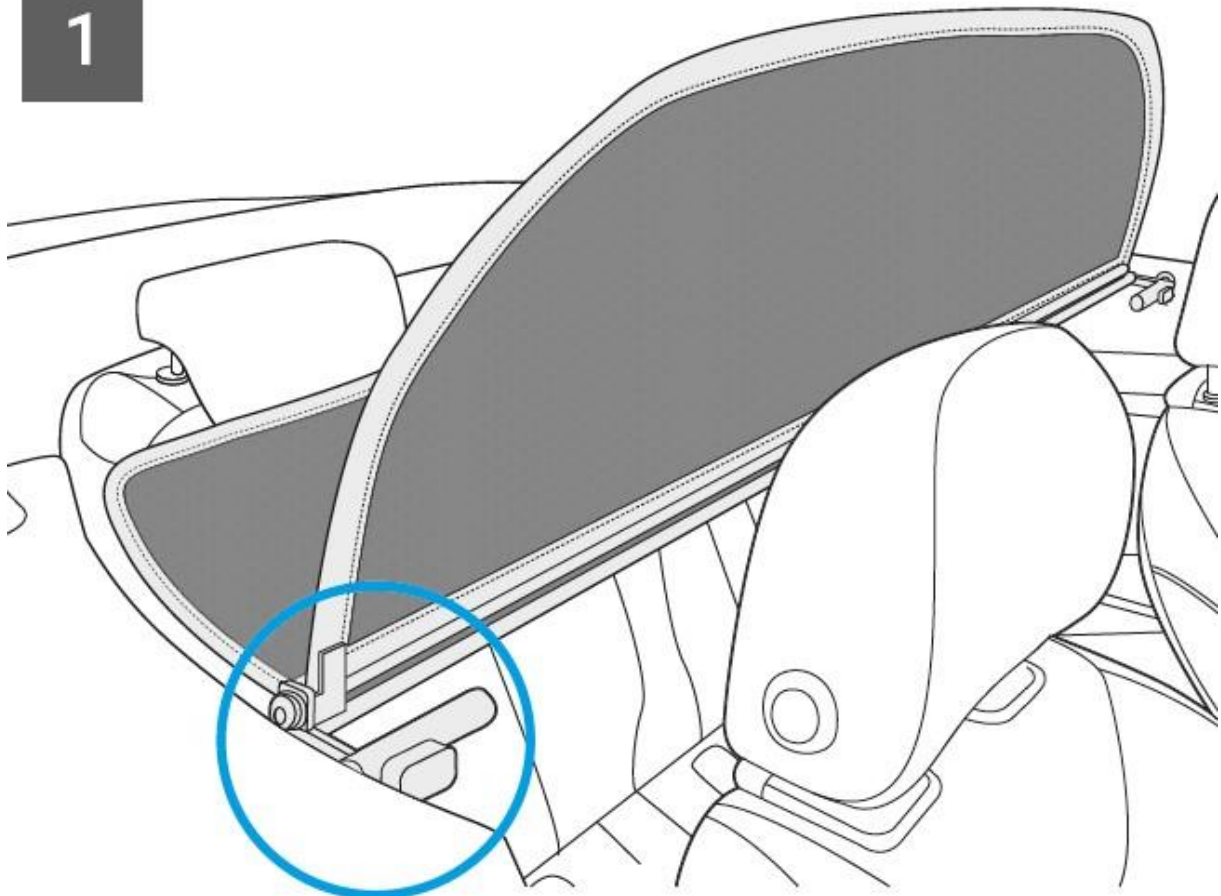




ATTENTION

If your car **has** the factory fitted holes you can easily click the wind deflector into place. Slide the rear brackets under the rear headrests and click the side brackets in to the factory fitted bungs.

1





ATTENTION

If the car **doesn't have** factory fitted wind deflector plugs drilling is **always** required.

Tools required:

- M16 wrench
- M12 drill

Parts supplied:

- 1 x wind deflector
- 1 x manual
- 2 x wind deflector plugs M12
- 2 x wind deflector pins

STEP 1

Change the thick pins on the wind deflector for supplied thinner pins using an Allen key.





STEP 2

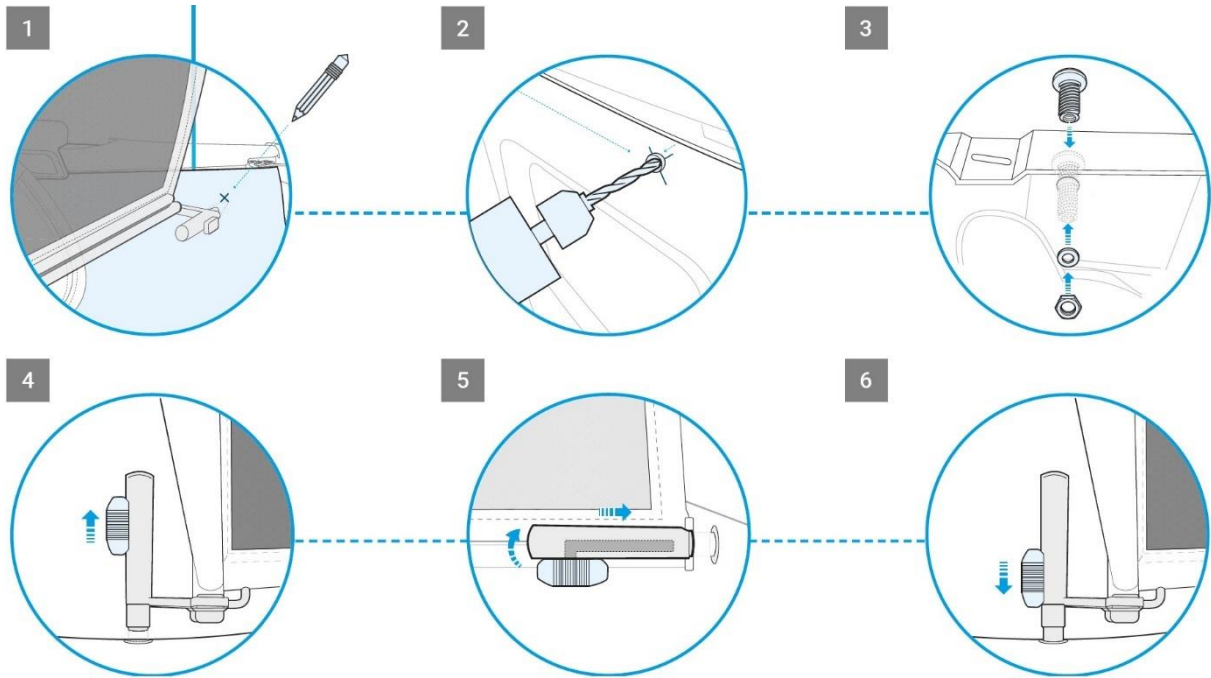
Open the top and fold the seats forward. Hold the wind deflector in the car and mark the position of the side pins on your side panel. Drill a 12mm hole on the marked position. The side panels are made of cardboard so there not much force needed.





PREMIUM AFTERMARKET WIND DEFLECTORS

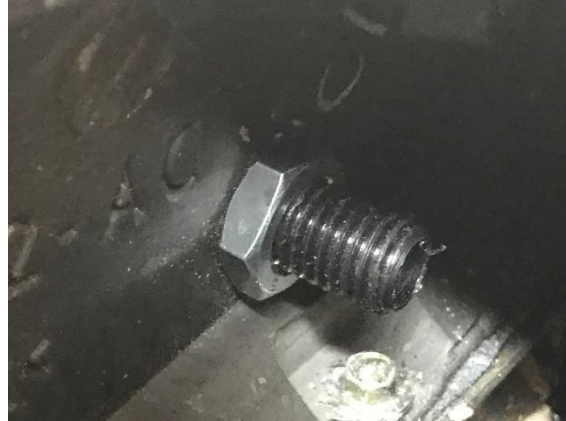
INSTALLATION INSTRUCTIONS



STEP 3

Push the plug through the hole and fixate the plug with the supplied nut and washer. **Don't tighten the plugs to much** since there are made of plastic the may break if you tighten them with to much force.





STEP 4

Slide the wind deflector under the rear headrest and click the wind deflector's pins into the installed plugs.





STEP 5

Go out for a test drive and enjoy your wind deflector!



PREMIUM AFTERMARKET WIND DEFLECTORS



INSTALLATION INSTRUCTIONS